
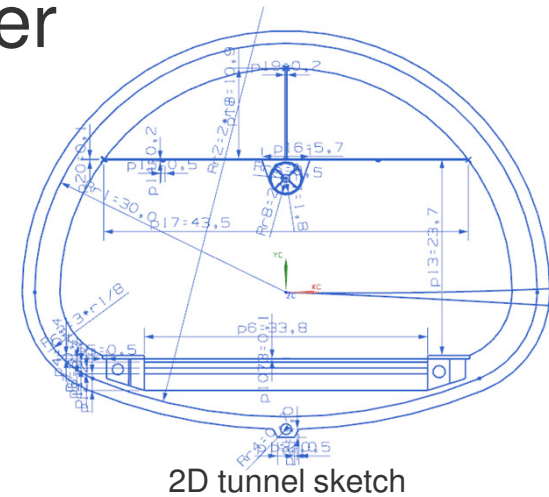
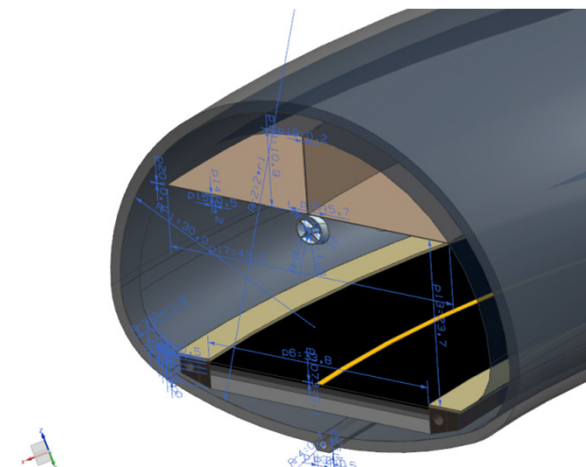


Sketch Manager

- Design intentions
- export/import sketches into/from a proper XML data file
- manage (select, search, etc.) sketch files
- In cooperation with 



2D tunnel sketch



3D tunnel model

Project Characteristics			
Mathematical Modeling:	low	☆☆☆☆	high
Programming Skills:	basic	☆☆☆☆	advanced
Self-Reliance:	independent	☆☆☆☆	supervised