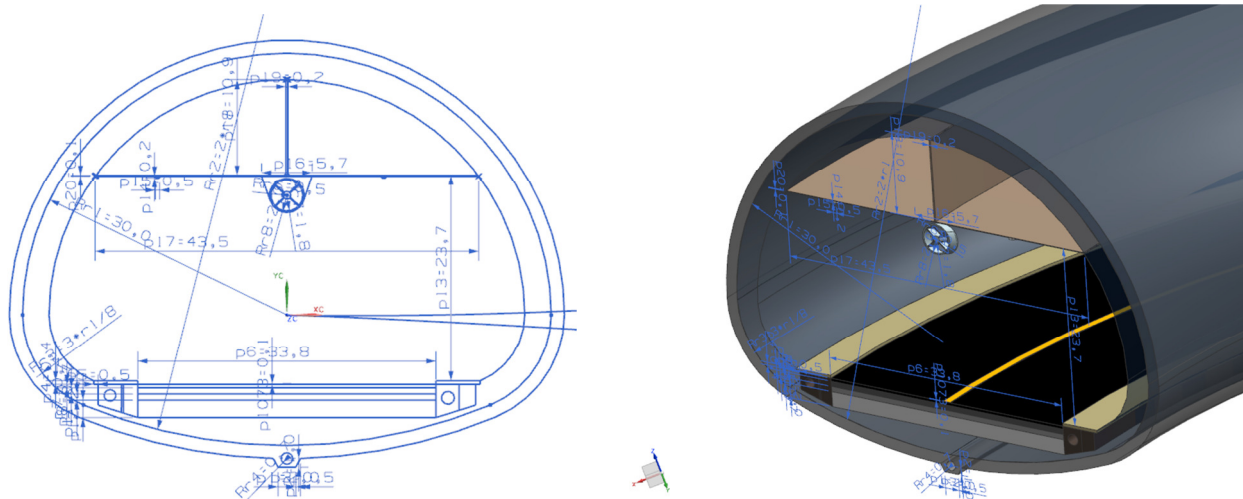


Sketch Manager – Development of an Add-on Program for Siemens NX

Project Characteristics			
Mathematical Modeling:	low	☆☆☆☆☆	high
Programming Skills:	basic	☆☆☆☆☆	advanced
Self-Reliance:	independent	☆☆☆☆☆	supervised

Siemens NX is a very powerful Computer Aided Design (CAD) system which provides parametric modeling and freeform modeling capabilities. In an ongoing research project of the CMS Group, NX has been used for modeling 3D infrastructural buildings, e.g. bridges and tunnels.



The main objective of this software lab is to develop an add-on for NX that can

- export/import sketches into/from a proper XML data file
- manage (select, search, etc.) sketch files with a simple database and
- a user-friendly graphical user interface (GUI).

The Sketch Manager has to be developed with C#.

Supervisor

Yang Ji, Computational Modelling and Simulation Group, y.ji@bv.tum.de